

PROCESSOR
252 SHEET 4
DSP AUDIO

RECEIVER
246 GND RX-ANT SHEET 3

SYNTH-VCO
2922 GND SHEET 5

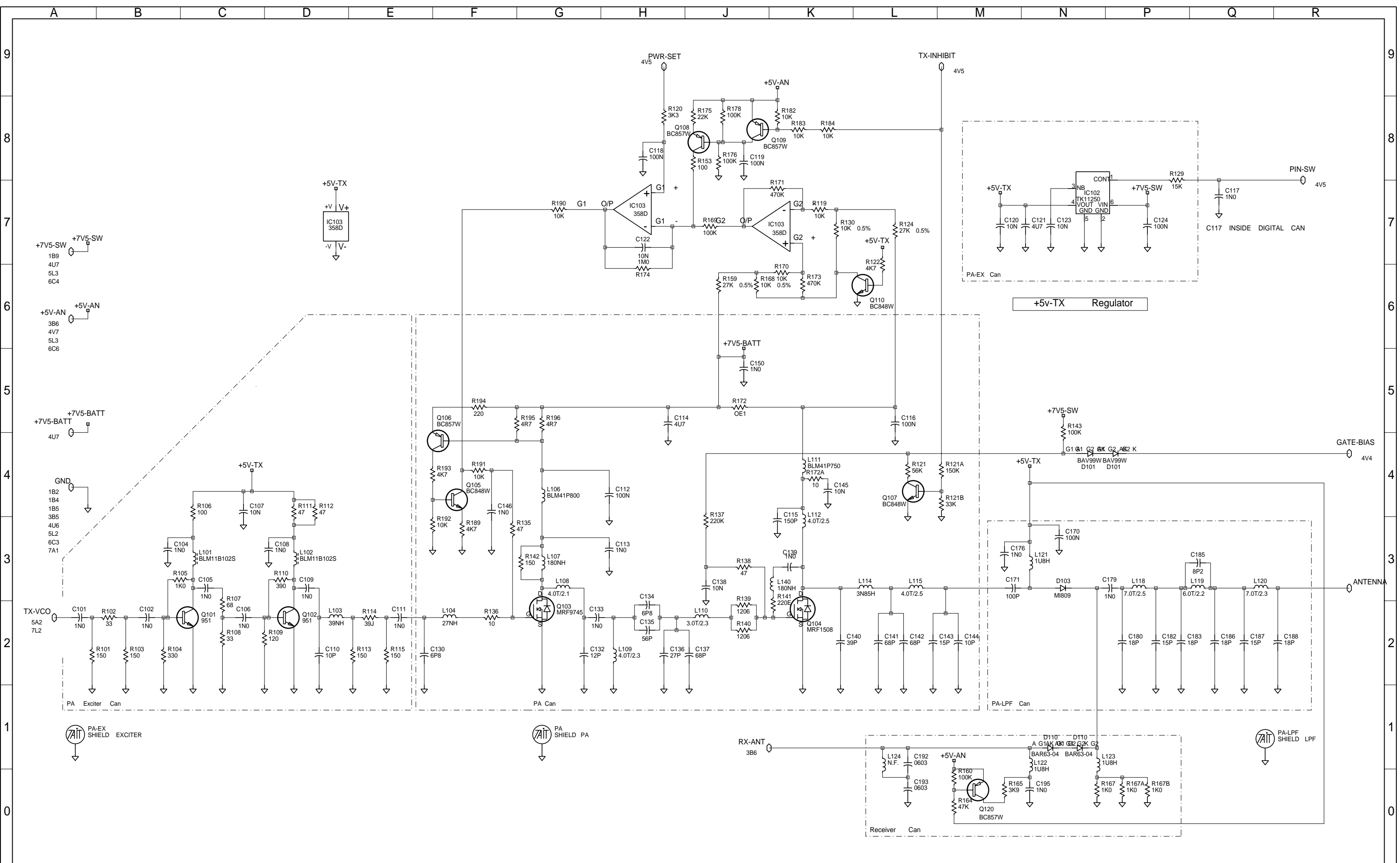
POWER-AMP
93 GND RX-ANT SHEET 2



07 A	UPDATES SEE NOTES FILE	BRD				08-02-99
04 A	MORE PAMODS	DBH		DBH	CI	31/03/98
03 A	UPDATE TO INCL. NEW PA LINEUP	DJW/MJ				29/04/98
REV/ISS	AMENDMENTS	DRAWN	CHKD	D.O.	APVD	DATE

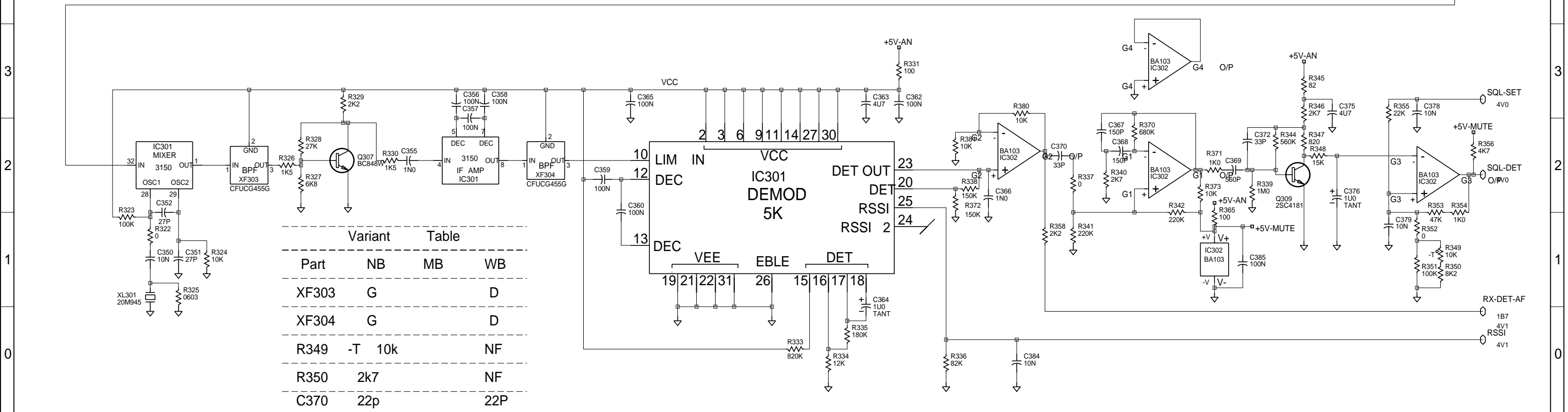
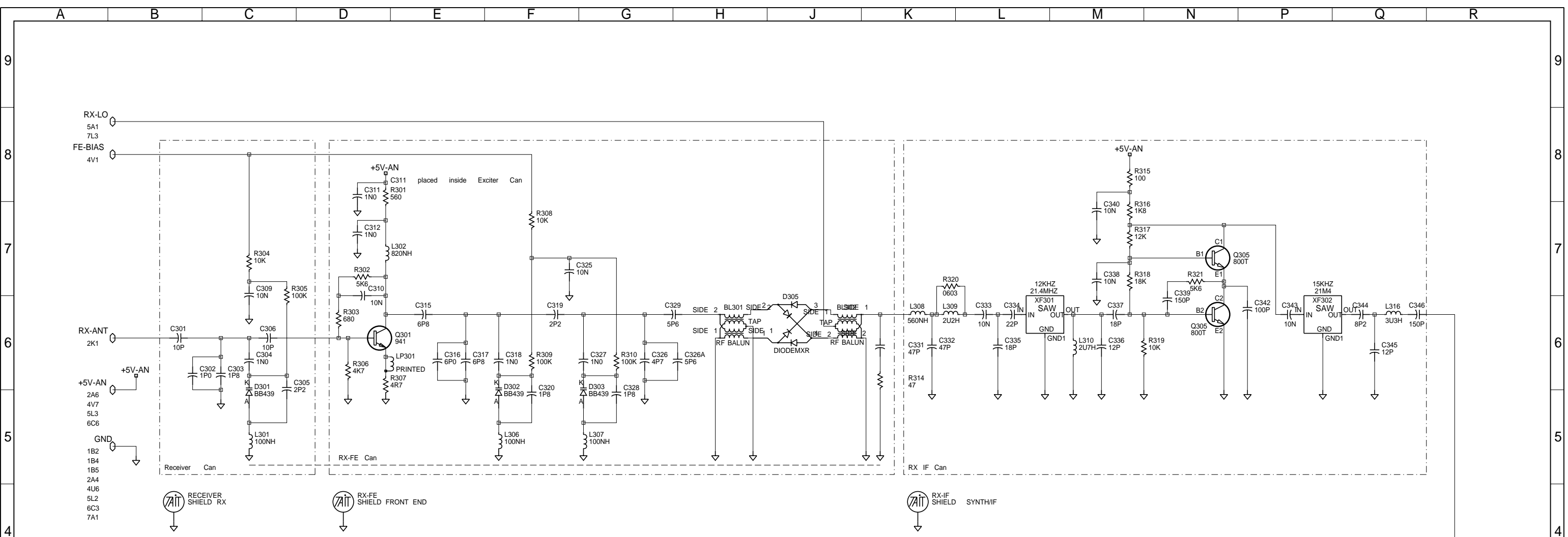
VHF
Tait Orca

© **TAIT ELECTRONICS**
ORCA :TP010-3122 136-174MHZ
SYSTEM DIAGRAM
IPN: 220-01401-06 ISSU: A ID: 2.S.C. 1
PROJECT: TAIT ORCA BRD DESIGNER: 140106A FILE NAME: 10/02/99 FILE DATE: NO.SHEETS: 7



© TAIT ELECTRONICS
 ORCA :TP010-3122 136-174MHZ
 POWER AMPLIFIER
 IPN: 220-01401-06 ISSUE: A ID: 2.S.C. 2
 PROJECT: TAIT ORCA DESIGNER: BRD FILE NAME: 140106A FILE DATE: 10/02/99 NO.SHEETS: 7

03A	NEW PA LINEUP (DW,BC-S,LL)	DJW			29/04/98
REV/ISS	AMENDMENTS	DRAWN	CHKD	D.O.	APVD DATE

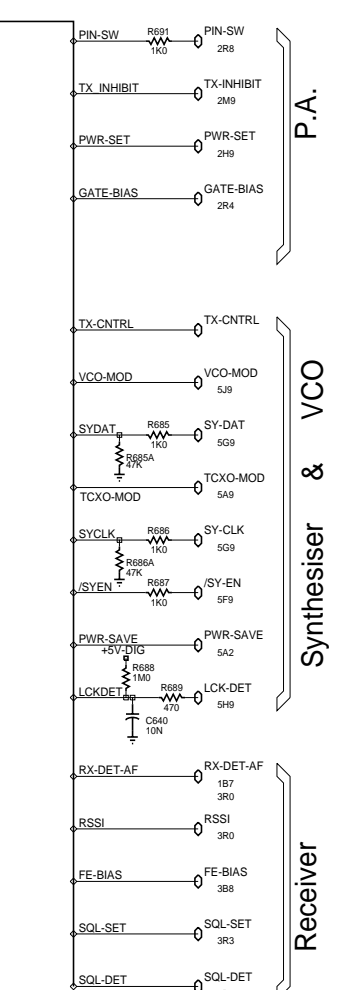
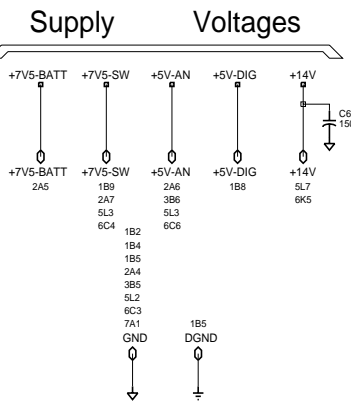
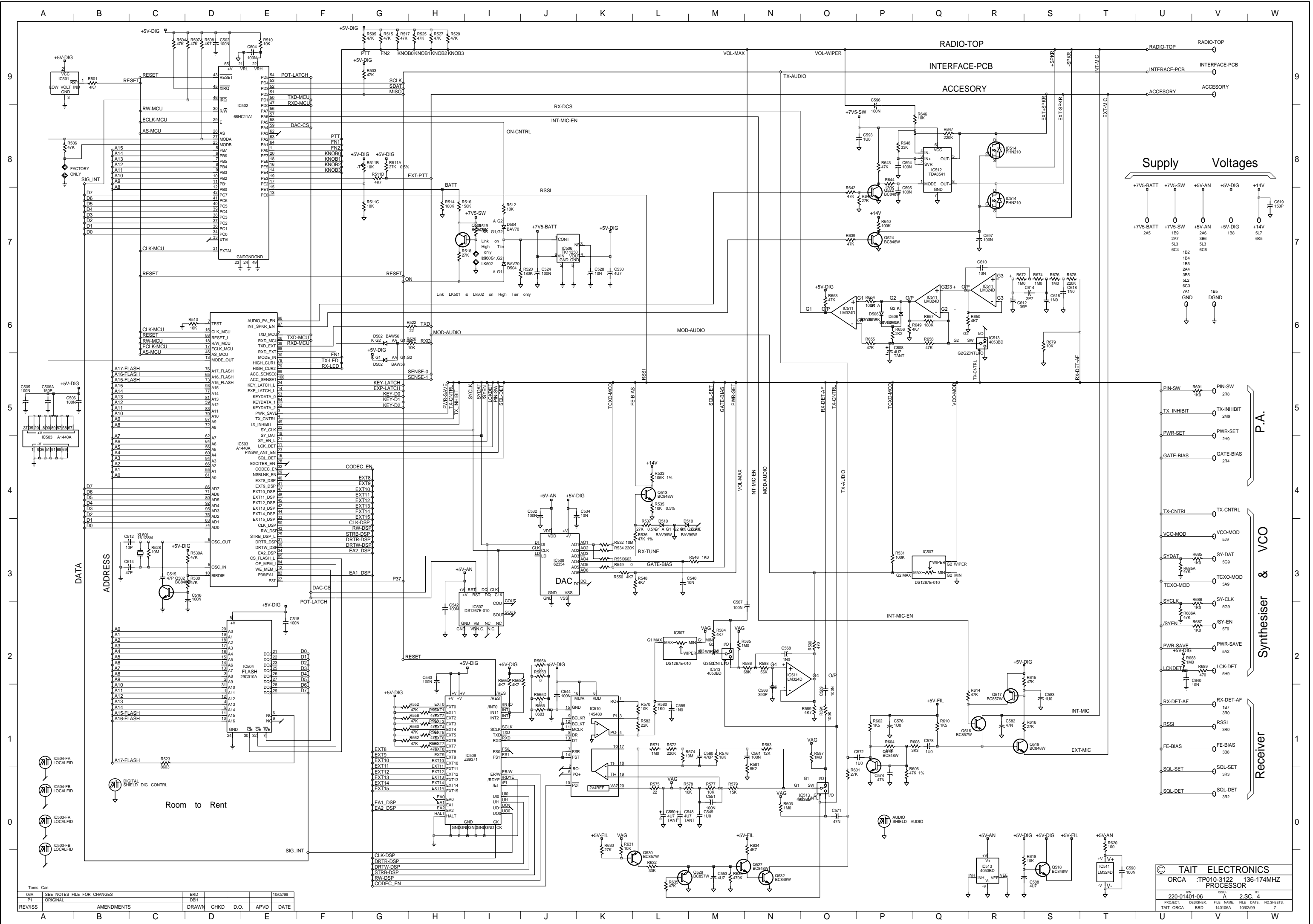


Variant Table

Part	NB	MB	WB
XF303	G		D
XF304	G		D
R349	-T	10k	NF
R350	2k7		NF
C370	22p		22P
C369	330P		330P

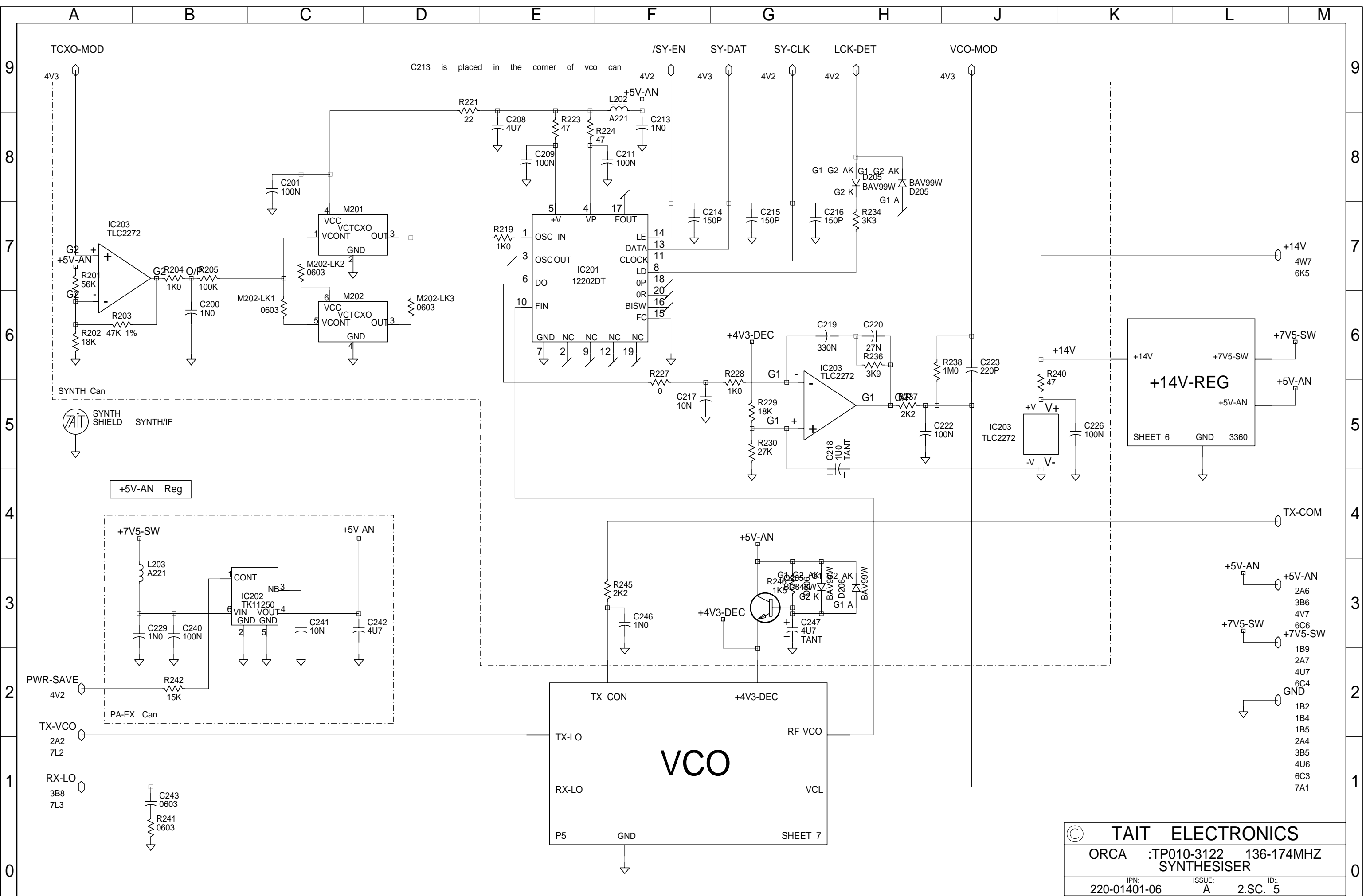
03 A	COMP.VALUE CHANGES IN FRONT END.	DJW			28/04/98
REV/ISS	AMENDMENTS	DRAWN	CHKD	D.O.	APVD DATE

© TAIT ELECTRONICS
 ORCA :TP010-3122 136-174MHZ RECEIVER
 IPN: 220-01401-06 ISSUE: A ID: 2.S.C. 3
 PROJECT: ORCA DESIGNER: BRD FILE NAME: 140106A DATE: 10/02/99 NO.SHEETS: 7



REV/ISS	AMENDMENTS	DRAWN	CHKD	D.O.	APVD	DATE
06A	SEE NOTES FILE FOR CHANGES					10/02/99
P1	ORIGINAL					

© TAIT ELECTRONICS
 ORCA :TP10-3122 136-174MHZ
 PROCESSOR
 220-01401-06
 2 SC. 4
 PROJECT DESIGNER FILE NAME FILE DATE NO SHEETS
 TAIT ORCA BRD 140106A 10/02/99 7



C213 is placed in the corner of vco can

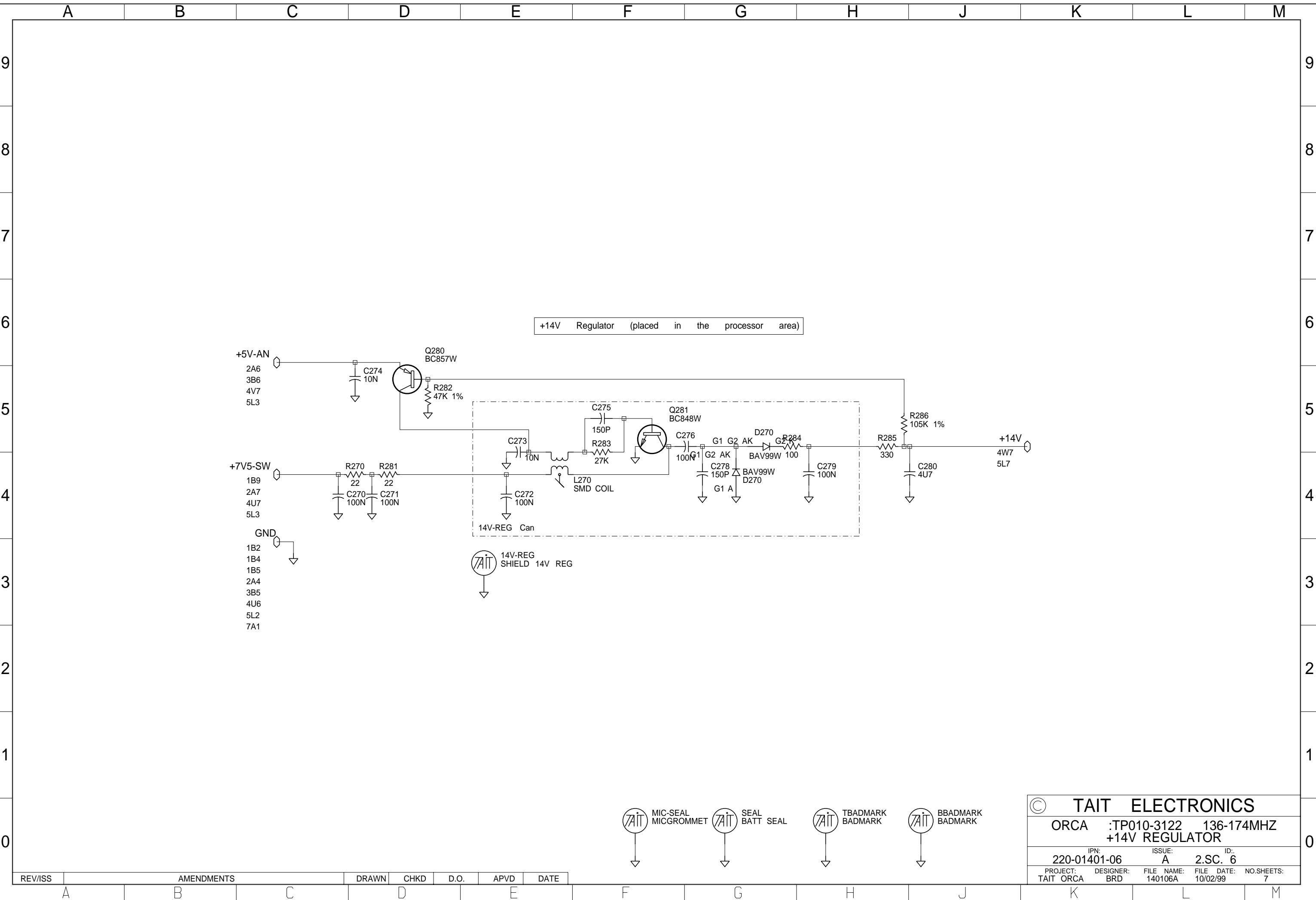
+14V-REG
SHEET 6
GND 3360

VCO
SHEET 7
P5 GND

© TAIT ELECTRONICS				
ORCA	:TP010-3122	136-174MHZ	SYNTHESISER	
IPN:	ISSUE:	ID:		
220-01401-06	A	2.SC. 5		
PROJECT:	DESIGNER:	FILE NAME:	FILE DATE:	NO.SHEETS:
TAIT ORCA	BRD	140106A	10/02/99	7

REV/ISS	AMENDMENTS	DRAWN	CHKD	D.O.	APVD	DATE

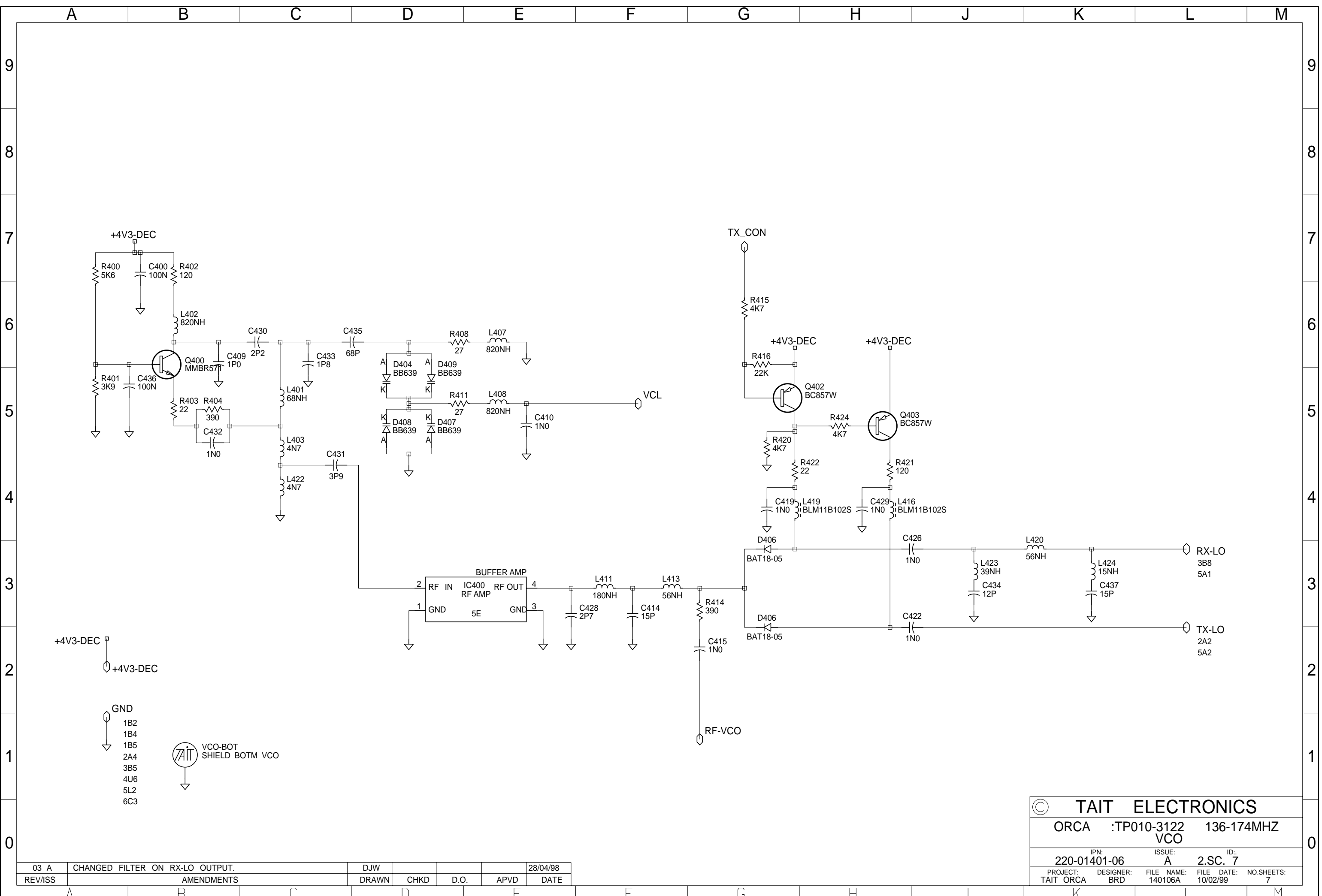
- +5V-AN 2A6
- +5V-AN 3B6
- +5V-AN 4V7
- +7V5-SW 6C6
- +7V5-SW 1B9
- +7V5-SW 2A7
- +7V5-SW 4U7
- GND 6C4
- 1B2
- 1B4
- 1B5
- 2A4
- 3B5
- 4U6
- 6C3
- 7A1



REV/ISS	AMENDMENTS		DRAWN	CHKD	D.O.	APVD	DATE

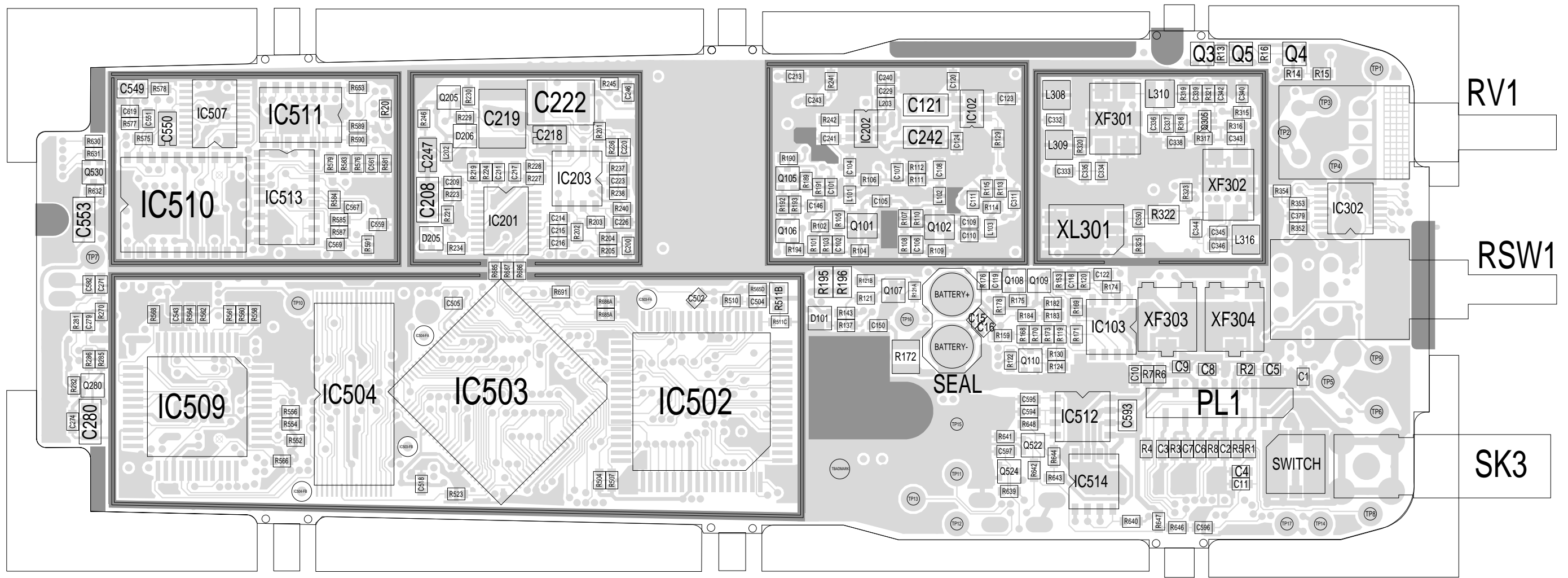
- MIC-SEAL MICGROMMET
- SEAL BATT SEAL
- TBADMARK BADMARK
- BBADMARK BADMARK

© TAIT ELECTRONICS
 ORCA :TP010-3122 136-174MHZ
 +14V REGULATOR
 IPN: 220-01401-06 ISSUE: A ID: 2.SC. 6
 PROJECT: TAIT ORCA DESIGNER: BRD FILE NAME: 140106A FILE DATE: 10/02/99 NO.SHEETS: 7

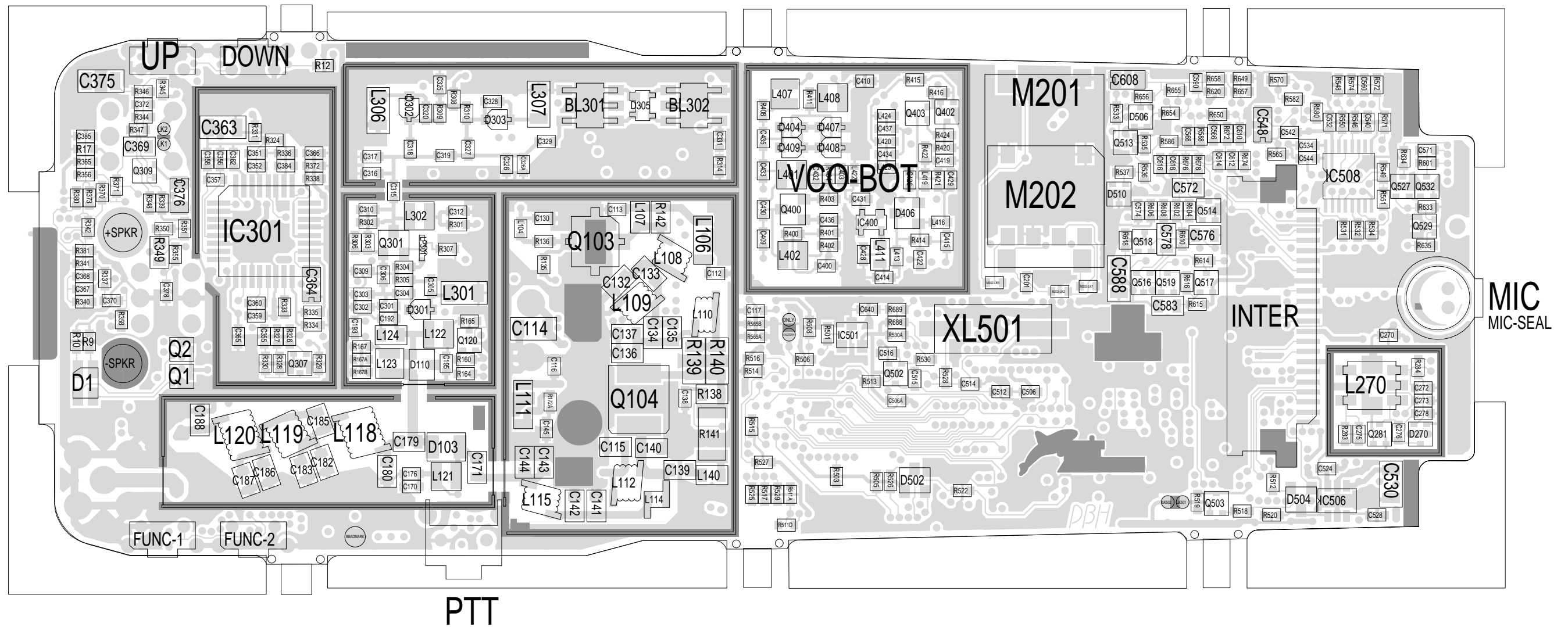


© TAIT ELECTRONICS
 ORCA :TP010-3122 136-174MHZ
 VCO
 IPN: 220-01401-06 ISSUE: A ID: 2.SC. 7
 PROJECT: TAIT ORCA DESIGNER: BRD FILE NAME: 140106A FILE DATE: 10/02/99 NO.SHEETS: 7

03 A	CHANGED FILTER ON RX-LO OUTPUT.	DJW				28/04/98
REV/ISS	AMENDMENTS	DRAWN	CHKD	D.O.	APVD	DATE



TAIT ELECTRONICS IPN: 220-01401-04 ISS: -04B ID: 1.TA DATE: 13 Jul 1998
 ORCA VHF PCB LAYOUT - TOP SIDE



TAIT ELECTRONICS IPN: 220-01401-04 ISS: -04B ID: 6.BA DATE: 13 Jul 1998
 ORCA VHF PCB LAYOUT - BOTTOM SIDE